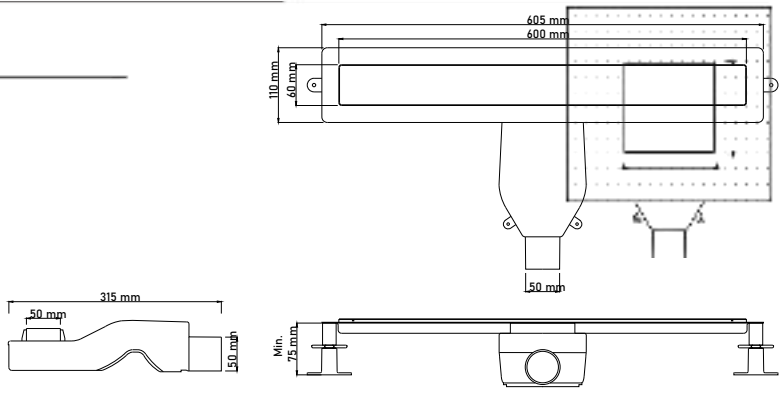
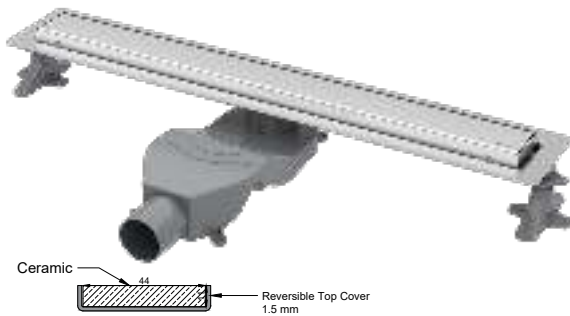


SHOWER CHANNEL TECHNICAL DATA SHEET

Premium S11 Shower Channel



Reversible Top Cover (1.5 mm)

Final Height Adjustment Frame (1.5 mm)

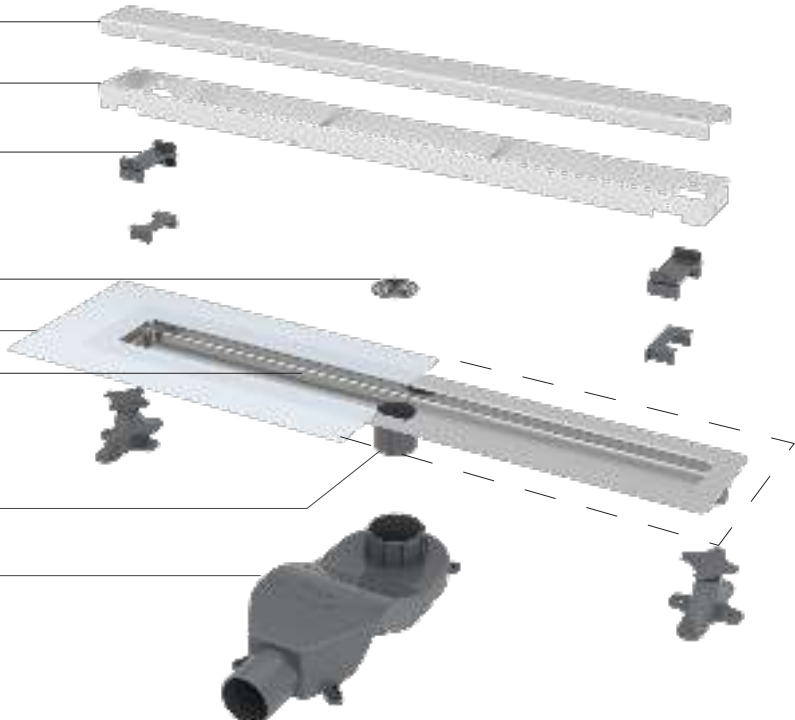
Gradual Height Adjustment Screw

**The gradual height adjustment screw allows the lid to stand 15-25 mm higher than the body, thanks to its 5-stage system.*

Hair Holder (with anti-odor membrane)

Butyl tape (w: 20 cm)

Insulated Main Body (sloped)

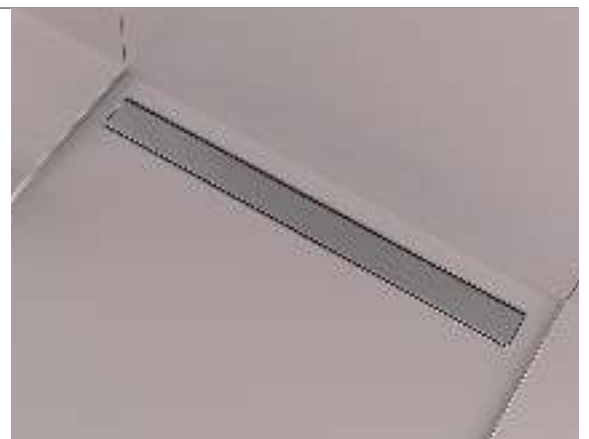


Minimum screed height : 60 mm
 Flow : 48 L/m in
 Odor Free

TOP COVER OPTIONS



COLOR OPTIONS



Premium shower channel, main body with insulation skirt, height adjustment frame, top cover, are made of certified 304 quality stainless steel. It includes stepped height adjustment screws mounted on the height adjustment frame, hair holder with anti-odor system and butyl tape. Premium Linear top cover model is ceramic compatible.

Material
 304 grade stainless steel
 Patented without gasket part
 Polypropylene anti-odor siphon system
 60 mm minimum screed height